

KBox B-201-CFL



High-end computing in a small footprint for noise sensitive environments

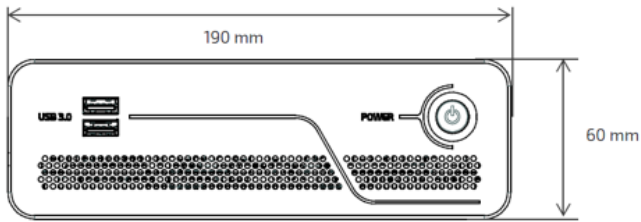
- ▶ High performance: 8th/9th Gen Intel® Core™ i3/i5/i7
- ▶ Small form factor with mITX motherboard
- ▶ Removable 2,5" SSD
- ▶ Low noise design
- ▶ Various mounting options

TECHNICAL INFORMATION

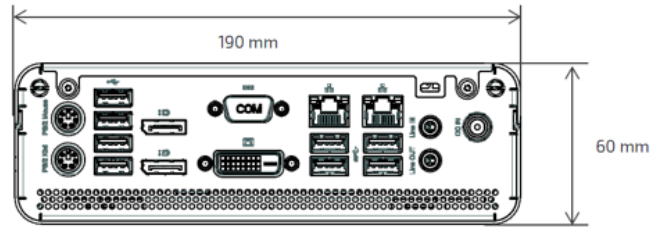
PROCESSOR	CPU SYSTEM CHIPSET BIOS	8th Gen Intel® Core™ i3/i5/i7 Socket LGA1151, max. 65 W TDP Intel® i3-8100 4x 3.6 GHz Intel® i5-8500 6x 3.0 GHz (Max. Turbo 4.1 GHz) Intel® i7-8700 6x 3.2 GHz (Max. Turbo 4.6 GHz) 9th Gen Intel® Core™ i3/i5/i7 Intel® i3-9100E 4x 3.1 GHz (Max. Turbo 3.7 GHz) Intel® i5-9500E 6x 3.0 GHz (Max. Turbo 4.2 GHz) Intel® i7-9700E 8x 2.6 GHz (Max. Turbo 4.4 GHz) Intel® Q370 Express Chipset (Smart line) Intel® H310 Express Chipset (Value line) AMI® Aptio 5.x
MEMORY	TECHNOLOGY CAPACITY SOCKET	DDR4-2666 MHz non ECC 8/16/32 GByte 2x SODIMM
GRAPHICS	GRAPHICS CORE MAX. RESOLUTION	Internal Intel® UHD 630 Graphics, DX12 4096x2304 @60 Hz
FRONT I/O	POWER ON/OFF USB	Power Button with status LED 2x USB 3.0
REAR I/O	GRAPHICS PORTS AUDIO USB ETHERNET CONTROLLER FEATURES PS/2 SERIAL PORTS	1x DVI-D, 2x DisplayPort V1.2 1x Line in, 1x Line out Realtek ALC671, 5.1-channel, High Definition Audio Codec 4x USB 2.0, 2x USB 3.1 Gen 1, 2x USB 3.1 Gen 2 (Smart) 3x USB 2.0, 2x USB 3.1 Gen1 (Value) 2x LAN 10/100/1000 MBit/s Intel® i219LM & i210AT AMT 12.0* / vPro Support*, Wake-on-LAN, PXE Support, BIOS MAC Address Display, Teaming Support 1x PS/2 Mouse, 1x PS/2 Keyboard 1x Serial (COM1, RS232)
INTERNAL EXPANSION SLOTS	M.2 mPCIe	1x M.2 Key-M for PCIe-based SSD NVME modules; 4x PCIe Gen3 lanes (for 2280, 2260 or 2242 modules) 1x Mini-PCIe supporting PCIe Gen3 & USB 2.0 (half-size/full size)
STORAGE	REMOVABLE DRIVE INTERNAL DRIVES	1x 2,5" SSD SATA III / SATA-600 Up to 2x M.2 SSD (RAID support*)
SOFTWARE SUPPORT	OPERATING SYSTEM	Windows® 10 IoT Enterprise LTSC 2019 pre-installed Linux
MECHANICAL	CONSTRUCTION FRONT COOLING DIMENSIONS (W x H x D) WEIGHT	Continuously hot-dip zinc coated mild steel sheet, according EN10215 Aluminium Internal silent fan 190 x 60 x 190 mm Approx. 2 kg
ENVIRONMENT	OPERATING TEMPERATURE STORAGE TEMPERATURE RELATIVE HUMIDITY OPERATING VIBRATION OPERATING SHOCK ALTITUDE NOISE LEVEL MTBF MAX. POWER	0 °C to +45 °C (32 °F to 113 °F) -20 °C to +80 °C (-4 °F to 176 °F) 93 % @ 40 °C, non-condensing 5-500 Hz, 1G acc. IEC 60068-2-6 half sine, 15 g, 11 ms acc. IEC 60068-2-27 5000 m (16400 ft) <= 34 dB(A) at 25 °C, Sea level, 1 m, Full CPU/GPU load 62257 h @ 40 °C Main board 96 W max., SSD 4 W (varies by processor type) 150 W max. provided by the external power supply
APPROVALS	CE, CB, NRTL	EMC: EN 55032:2012, class B, EN 61000-3-2:2014, EN 61000-3-3:2013, EN 55024:2010 NOTE: with external power supply provided by Kontron Savety: IEC 62368-1:2014, EN 62368-1:2014, UL 62-368-1:2014-12, CAN/CSA-C22.2 No. 62368-1:2014-12 NOTE: with external power supply provided by Kontron
POWER SUPPLY (EXTERNAL)	INPUT VOLTAGE RANGE	90 to 264 VAC (external power supply) 24 VDC (on request)

* Feature only supported by Smart Line (Q370 Chipset); Value line (H310 chipset)

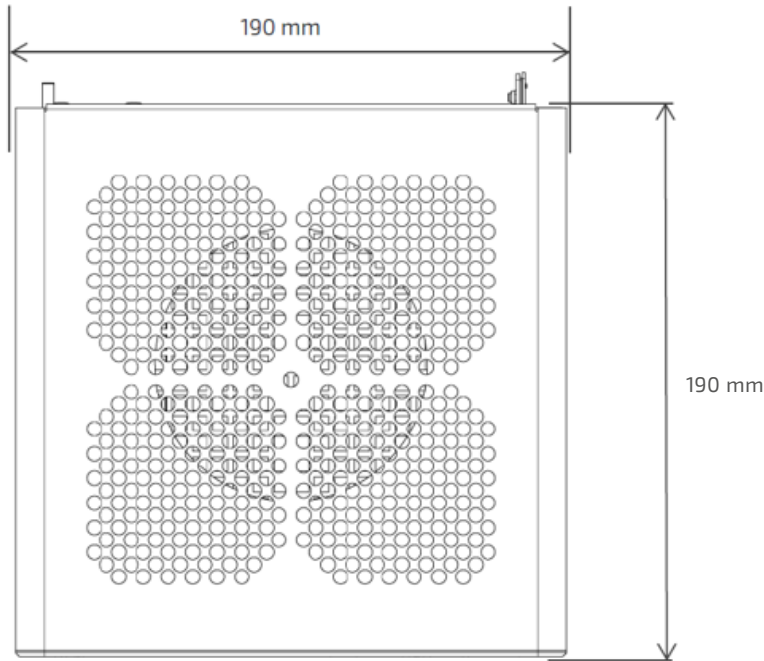
► DIMENSIONS



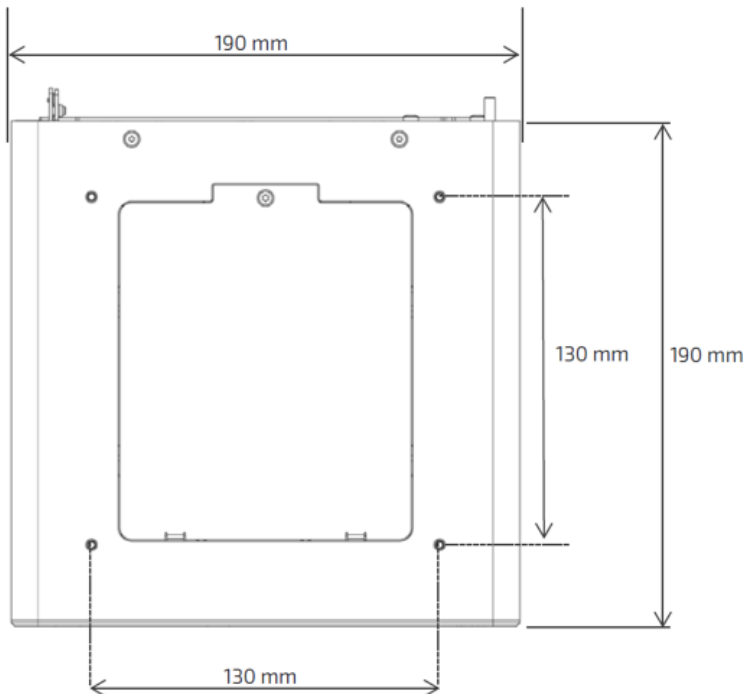
// Front Panel



// Rear Panel



// Top Cover



// Bottom Side

ORDERING INFORMATION

ARTICLE	PART NO.	DESCRIPTION
KBOX B-201-CFL VERSION	KBox-B-201-CFL-V KBox-B-201-CFL-S	Value version Smart version
POWER SUPPLY (CATEGORY B)	A D	External 150W PSU Internal 24VDC PSU (on project request)
PROCESSOR (CATEGORY C)	1 2 3 4 5 6	i3-8100 Coffee Lake 4x 3.60 GHz, 65 W i5-8500 Coffee Lake 6x 3.00 GHz, 65 W i7-8700 Coffee Lake 6x 3.20 GHz, 65 W i3-9100E Coffee Lake 4x 3.10 GHz, 65 W i5-9500E Coffee Lake 6x 3.00 GHz, 65 W i7-9700E Coffee Lake 8x 2.60 GHz, 65 W
MEMORY (CATEGORY D)	1 2 3	8 GByte DDR4-2666 SODIMM 16 GByte DDR4-2666 SODIMM 32 GByte DDR4-2666 SODIMM
M.2 SSD (CATEGORY E)	0 1 2 3 4	No M.2 Storage 128 GByte M.2 SSD 256 GByte M.2 SSD 512 GByte M.2 SSD 1 TByte M.2 SSD
2.5" SSD SLOT (CATEGORY F)	0 1 2 3	No 2.5" SSD Storage 512 GByte 2.5" SSD 1 TByte 2.5" SSD 2x 256 GByte M.2 SSD modules SATA RAID 1
mPCIe CARD (CATEGORY G)	0 1	No Wifi WIFI
SOFTWARE (CATEGORY H)	0 1 2 5	No OS WIN10 IoT Enterprise Entry for i3/i5 WIN10 IoT Enterprise High End for i7 Linux
MOUNTING (CATEGORY I)	0 1 2 3	Desktop Wall Mount Vertical Stand VESA mount

e.g. KBox B-201-CFL-S(B)-(CDEF)-(G)-(H)-(I)

e.g. KBox B-201-CFL-V(B)-(CDEF)-(G)-(H)-(I)

Notes: Letters in brackets are the category letters; due to mechanical limitations, configurations must be approved by sales support

ACCESSORIES		
AC POWER SUPPLY	1064-8948	90 to 264 VAC, 150 W PSU
POWER CORD EU	0-0064-2173	Euro (Type A), 2.5 m
POWER CORD UK	0-0064-4173	UK (Type C), 2.5 m
POWER CORD US	0-0064-4317	US, 2 m
WALL MOUNT KIT	1065-3430	Wall mount kit
VERTICAL STAND KIT	1065-3431	Vertical stand kit

GLOBAL HEADQUARTERS

KONTRON S&T AG

Lise-Meitner-Str. 3-5
86156 Augsburg, Germany
Tel.: + 49 821 4086 0
Fax: + 49 821 4086 111
info@kontron.com
www.kontron.com